

REVERSIBLE GREASE TRAP FRAME & COVER 1050 (RECESSED MOSAIC TILING SIDE)

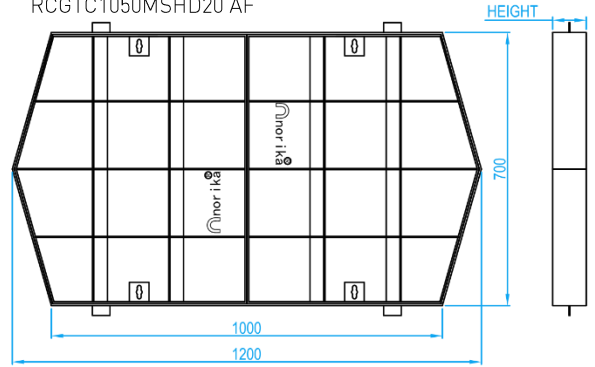
COMPLY WITH GENERAL REQUIREMENTS OF
PUB/WRN/STD/041B



SKU: RCGTC1050MS
RCGTC1050MSHD20



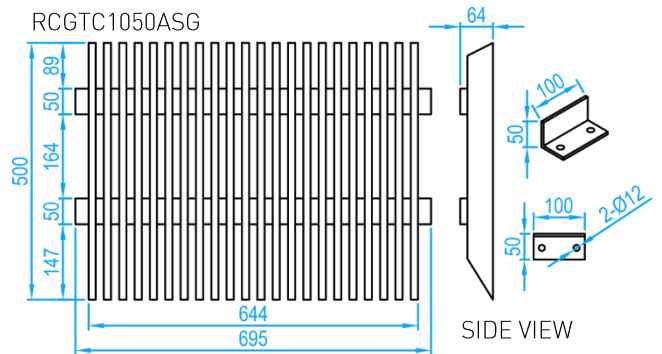
RCGTC1050MSAF
RCGTC1050MSHD20 AF



TOP VIEW



RCGTC1050ASG



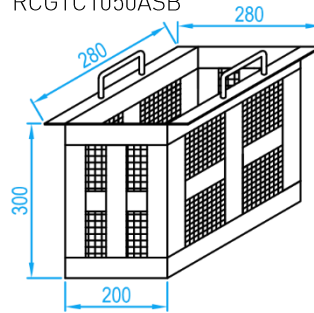
TOP VIEW

SIDE VIEW



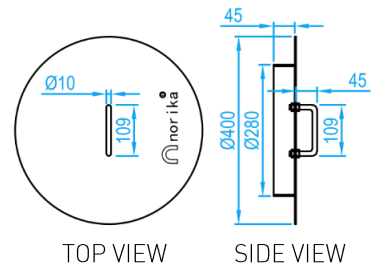
INSTALLATION EFFECT

RCGTC1050ASB



3-D VIEW

RCGTC1050AC



TOP VIEW

SIDE VIEW

* Available for only mild steel material

DIMENSIONS

SKU	MATERIAL	EXTERNAL[mm]	HEIGHT [mm]	WEIGHT [kg]
RCGTC1050MS	Mild-Steel	1200 X 700	50	40
RCGTC1050MSHD20	Mild-Steel	1200 X 700	80	150